

## DETAILS

<b>Ordering Number</b>	C10366_PLATINUMROCKET-3-SS
<b>Family</b>	Martha
<b>Type</b>	Lens array
<b>Color</b>	clear
<b>Diameter</b>	50 mm
<b>Height</b>	15.6 mm
<b>Style</b>	round
<b>Optic Material</b>	PMMA
<b>Holder Material</b>	
<b>Fastening</b>	pin, glue
<b>Status</b>	ready
<b>ROHS Compliant</b>	Yes
<b>Date Updated</b>	8/11/2013



## OPTICAL PROPERTIES

LED	Viewing Angle	Light Beam	Efficiency	cd/lm
XR-E	14 degrees		-	-
Golden Dragon+	14 degrees		-	-

D

C

B

A

4

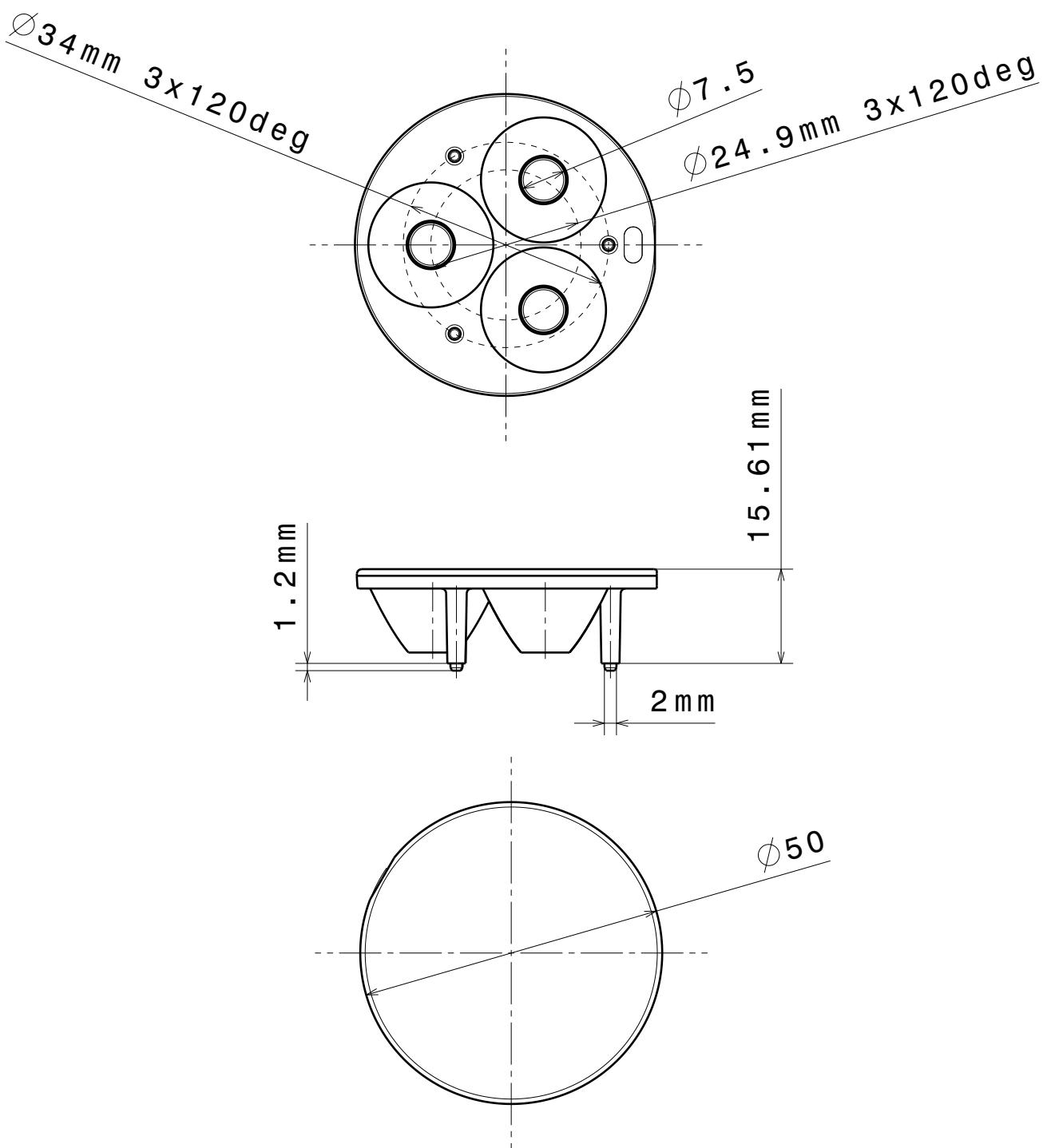
4

3

3

2

2



Material: PMMA Clear

This drawing is our property.  
 It can't be reproduced  
 or communicated without  
 our written agreement.



Ledil Oy  
 Salorankatu 10  
 FIN-24100 SALO  
 Finland

DRAWING TITLE

Rocket3 / Martha

DRAWN BY  
ah

DATE  
8.11.2013

CHECKED BY  
X

DATE  
8.11.2013

SIZE  
A4

DRAWING NUMBER

REV  
1

DESIGNED BY  
hh

DATE  
29.05.2007

SCALE 1:1

WEIGHT (g)

SHEET 1/1

D

A

1

1

**NOTE: The typical divergence will be changed by different color, chip size and chip position tolerance. The typical total divergence is the full angle measured where the luminous intensity is half of the peak value.**