

## DETAILS

<b>Ordering Number</b>	C10924_STRADA-B
<b>Family</b>	Strada-B
<b>Type</b>	Lens
<b>Color</b>	clear
<b>Diameter</b>	19,6 + 15,5 mm
<b>Height</b>	8.2 mm
<b>Style</b>	rectang
<b>Optic Material</b>	PMMA
<b>Holder Material</b>	
<b>Fastening</b>	screw, glue
<b>Status</b>	ready
<b>ROHS Compliant</b>	Yes
<b>Date Updated</b>	25/04/2014



## OPTICAL PROPERTIES

LED	Viewing Angle	Light Beam	Efficiency	cd/lm
XR-E	84+36 degrees		93 %	1.020

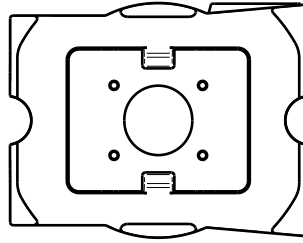
D

C

B

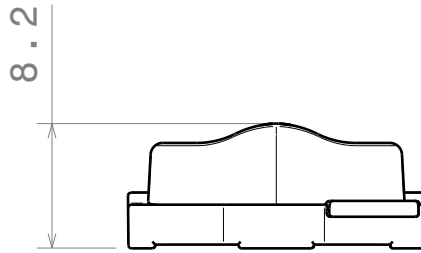
A

4



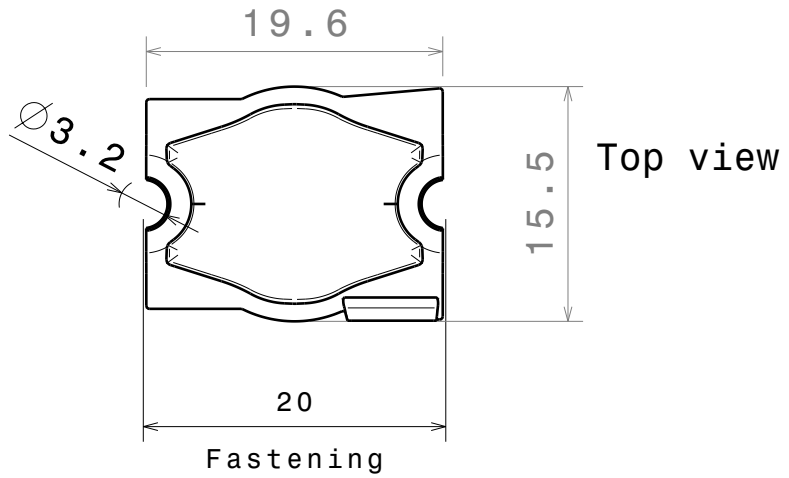
4

3



3

2



2

MATERIAL PMMA

This drawing is our property.  
It can't be reproduced  
or communicated without  
our written agreement.



L  
T  
F  
F

e  
e  
l  
i  
i  
n  
n

d

h

DRAWING TITLE

Datasheet Strada-B-XR lens

1

DRAWN BY

DATE

p

13.08.2009

CHECKED BY

DATE

t

k

26.04.2009

SIZE

A4

DRAWING NUMBER

C10924

REV

0.1

DESIGNED BY

DATE

hh

26.04.2009

SCALE

2:1

WEIGHT (g)

SHEET

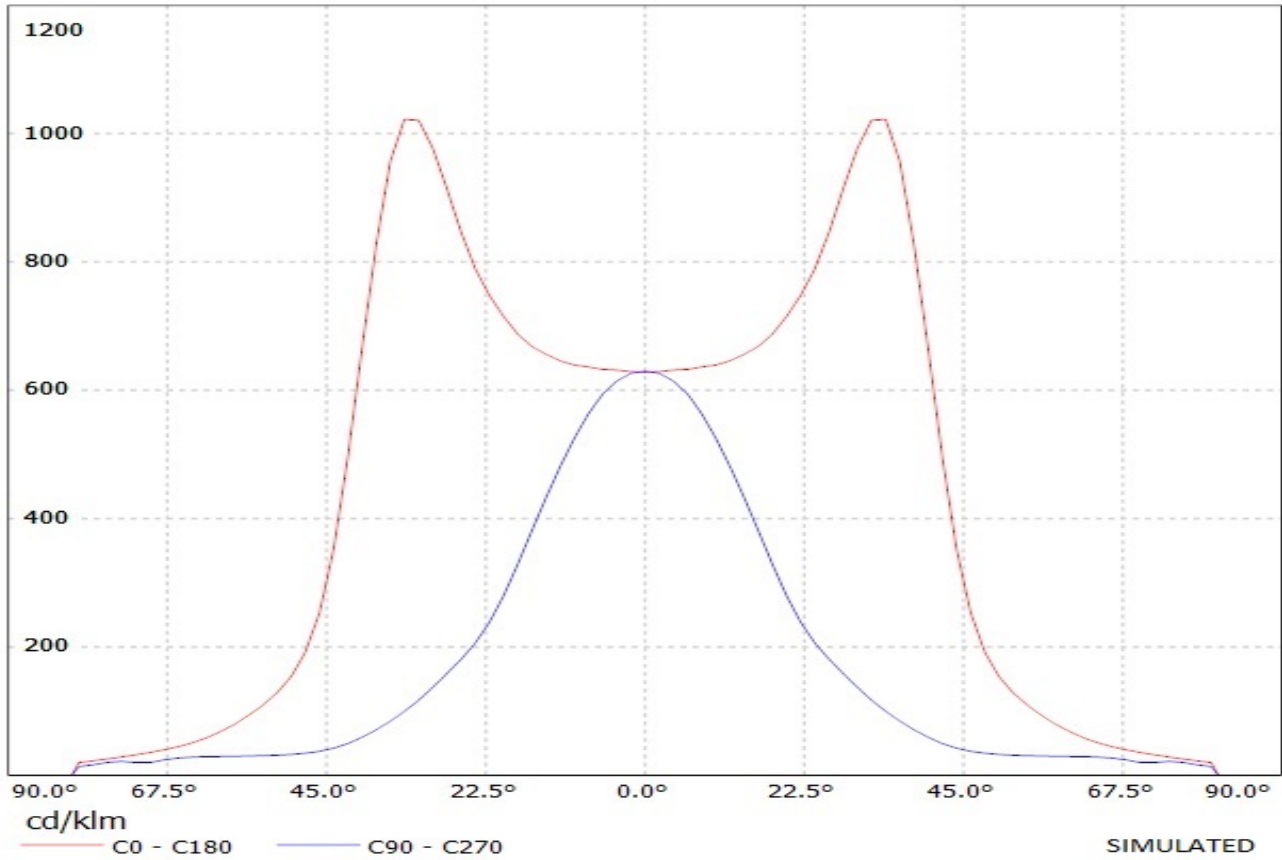
1/1

D

A

# Ledil Oy C10924\_Strada-B-XR C10924\_Strada-B-XR / LDC (Linear)

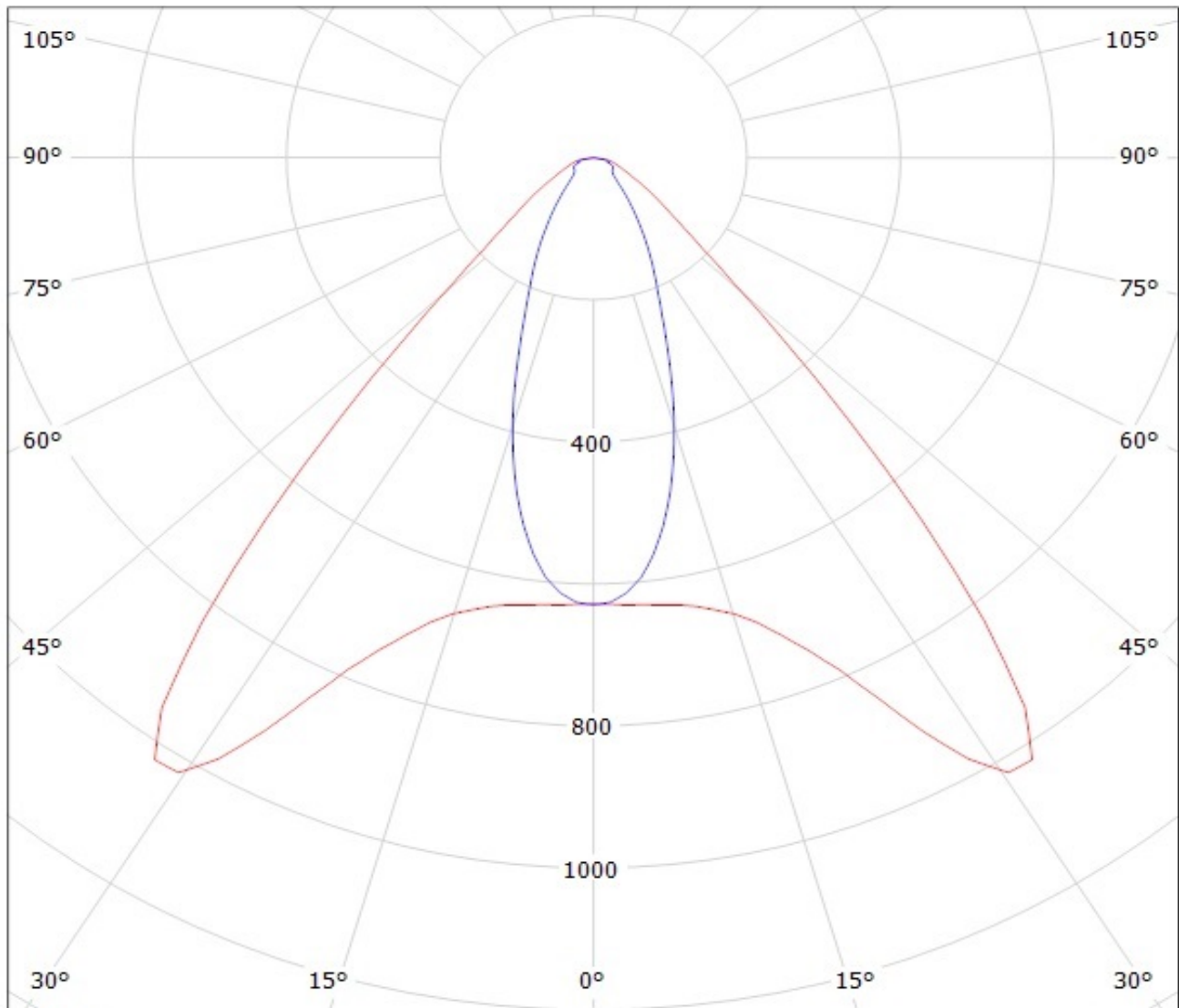
Luminaire: Ledil Oy C10924\_Strada-B-XR C10924\_Strada-B-XR  
Lamps: 1 x Cree XR-E (white)



# Ledil Oy C10924\_Strada-B-XR C10924\_Strada-B-XR / LDC (Polar)

Luminaire: Ledil Oy C10924\_Strada-B-XR C10924\_Strada-B-XR

Lamps: 1 x Cree XR-E (white)



cd/klm

— C0 - C180

— C90 - C270

SIMULATED

**NOTE: The typical divergence will be changed by different color, chip size and chip position tolerance. The typical total divergence is the full angle measured where the luminous intensity is half of the peak value.**