

DETAILS

Ordering Number	C10949_STRADA-B2
Family	Strada-B2
Type	Lens
Color	clear
Diameter	19,6 + 15,5 mm
Height	5.2 mm
Style	rectang
Optic Material	PMMA
Holder Material	
Fastening	screw, pin, glue
Status	ready
ROHS Compliant	Yes
Date Updated	8/03/2014



OPTICAL PROPERTIES

LED	Viewing Angle	Light Beam	Efficiency	cd/lm
Z5	(simulated) 110+40		92 %	-
NCSxx19A	108+48 degrees		92 %	-
LUXEON Rebel	108+46 degrees		92 %	0.490
NVSxx19A	108+48 degrees		92 %	-
Oslon SSL 80	110+50 degrees		92 %	0.420

D

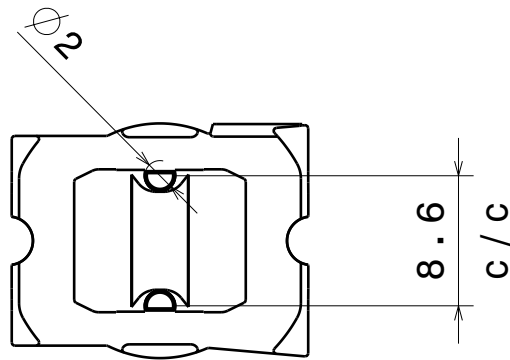
C

B

A

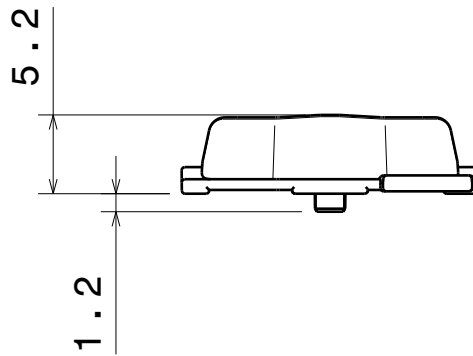
4

4



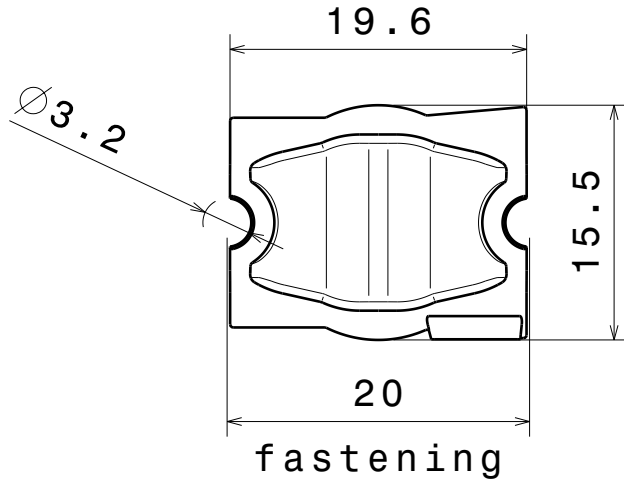
3

3



2

2



Top view

MATERIALS
Lens: PMMA

This drawing is our property.
It can't be reproduced
or communicated without
our written agreement.



L
T
F
F

e
e
i
i
N
n

d

h

DRAWING TITLE

Datasheet Strada-B2-XP lens

DRAWN BY

DATE

p

13.08.2009

CHECKED BY

DATE

t

k

12.06.2009

SIZE

A4

DRAWING NUMBER

C10949

REV

1

DESIGNED BY

DATE

hh

12.06.2009

SCALE

2:1

WEIGHT (g)

SHEET

1/1

D

A

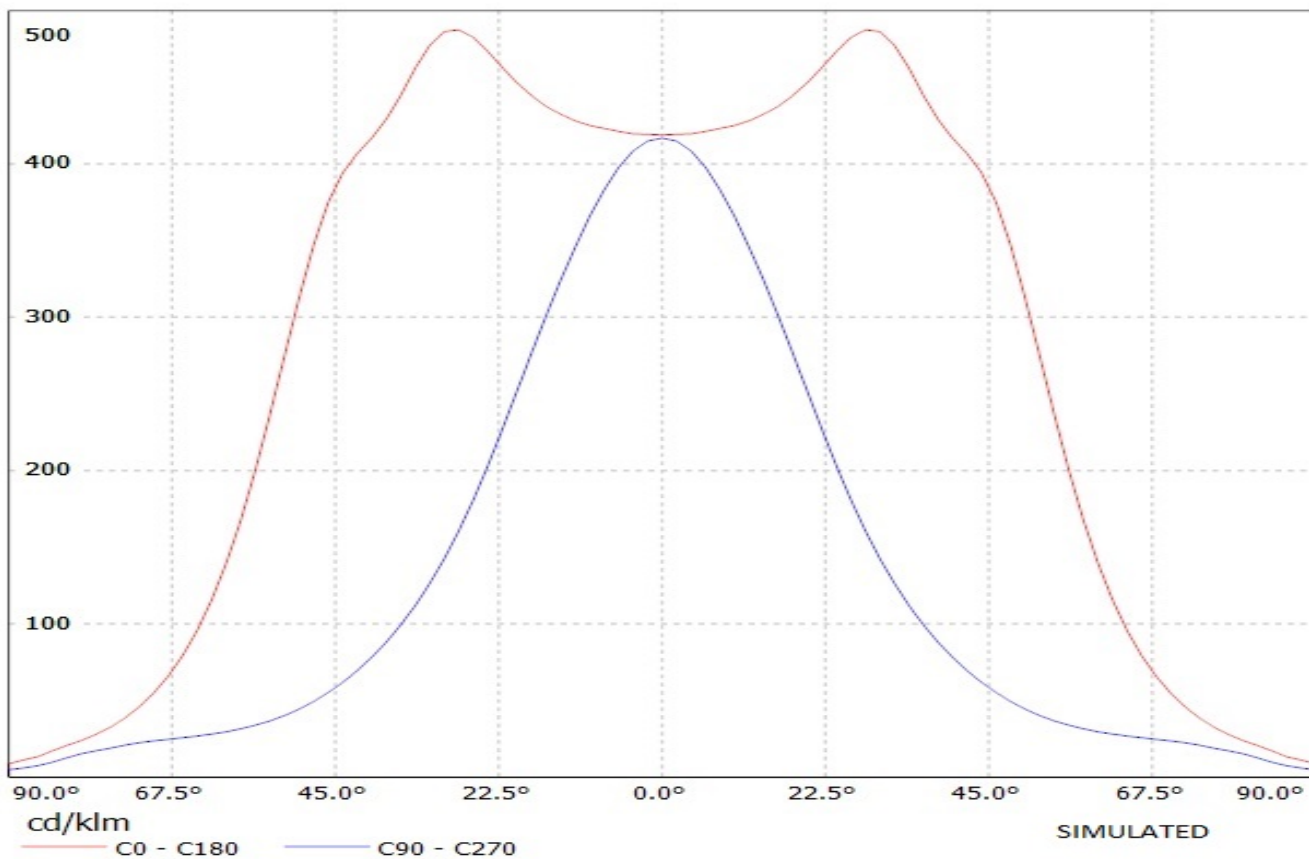
1

1

Ledil Oy C10949_Strada-B2-RE C10949_Strada-B2-RE / LDC (Linear)

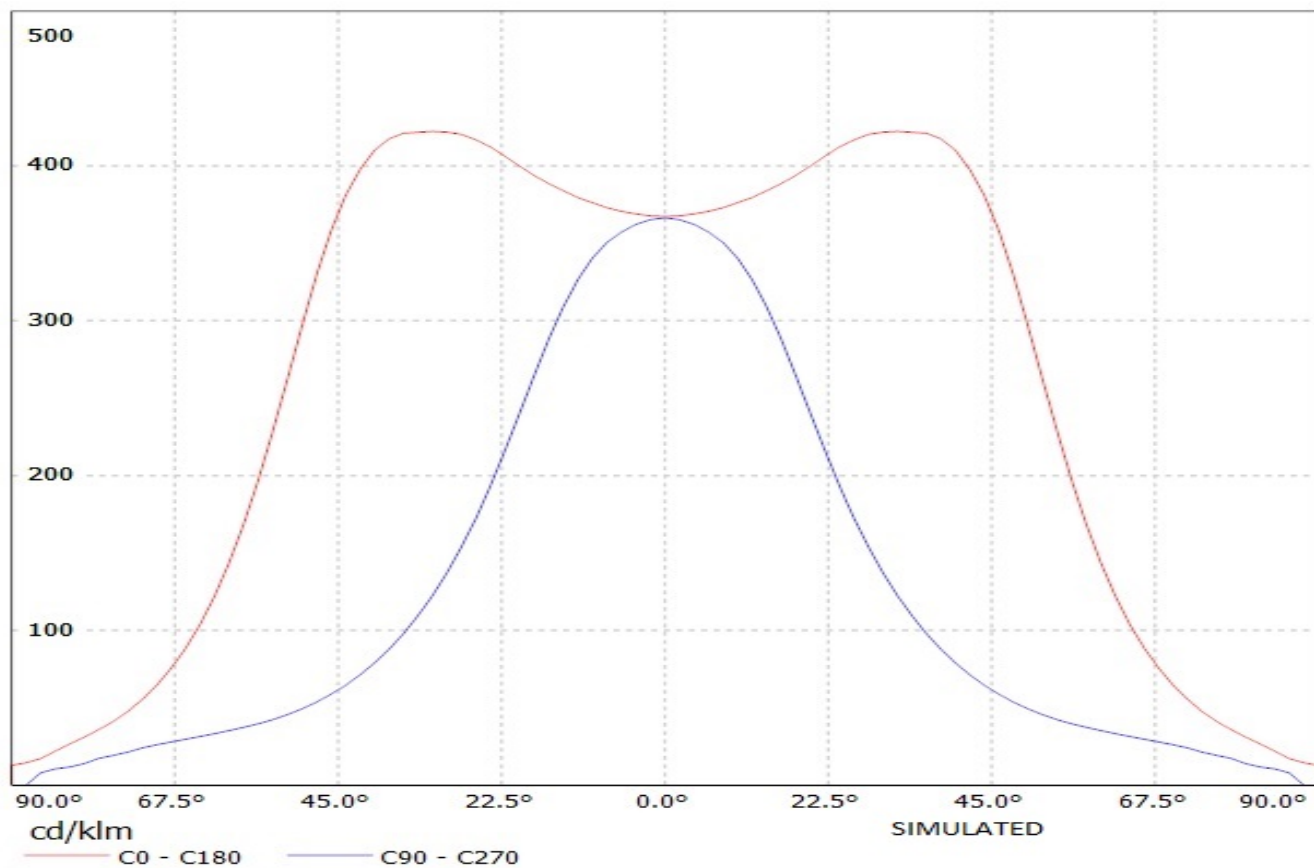
Luminaire: Ledil Oy C10949_Strada-B2-RE C10949_Strada-B2-RE

Lamps: 1 x Luxeon Rebel (white/neut)



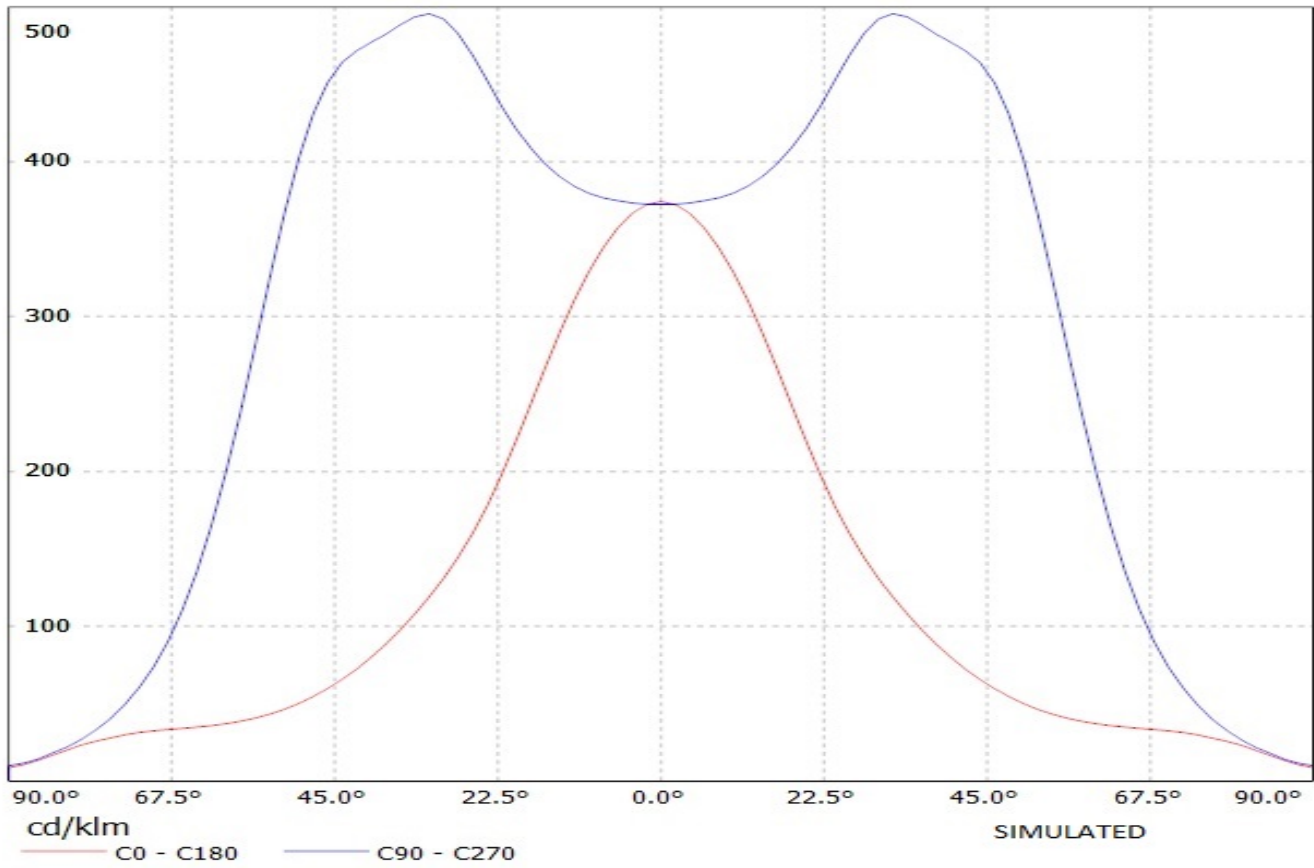
Ledil Oy C10949_Strada-B2-OSL C10949_Strada-B2-OSL / LDC (Linear)

Luminaire: Ledil Oy C10949_Strada-B2-OSL C10949_Strada-B2-OSL
Lamps: 1 x Osram Oslon SSL (Ultra w33°B)

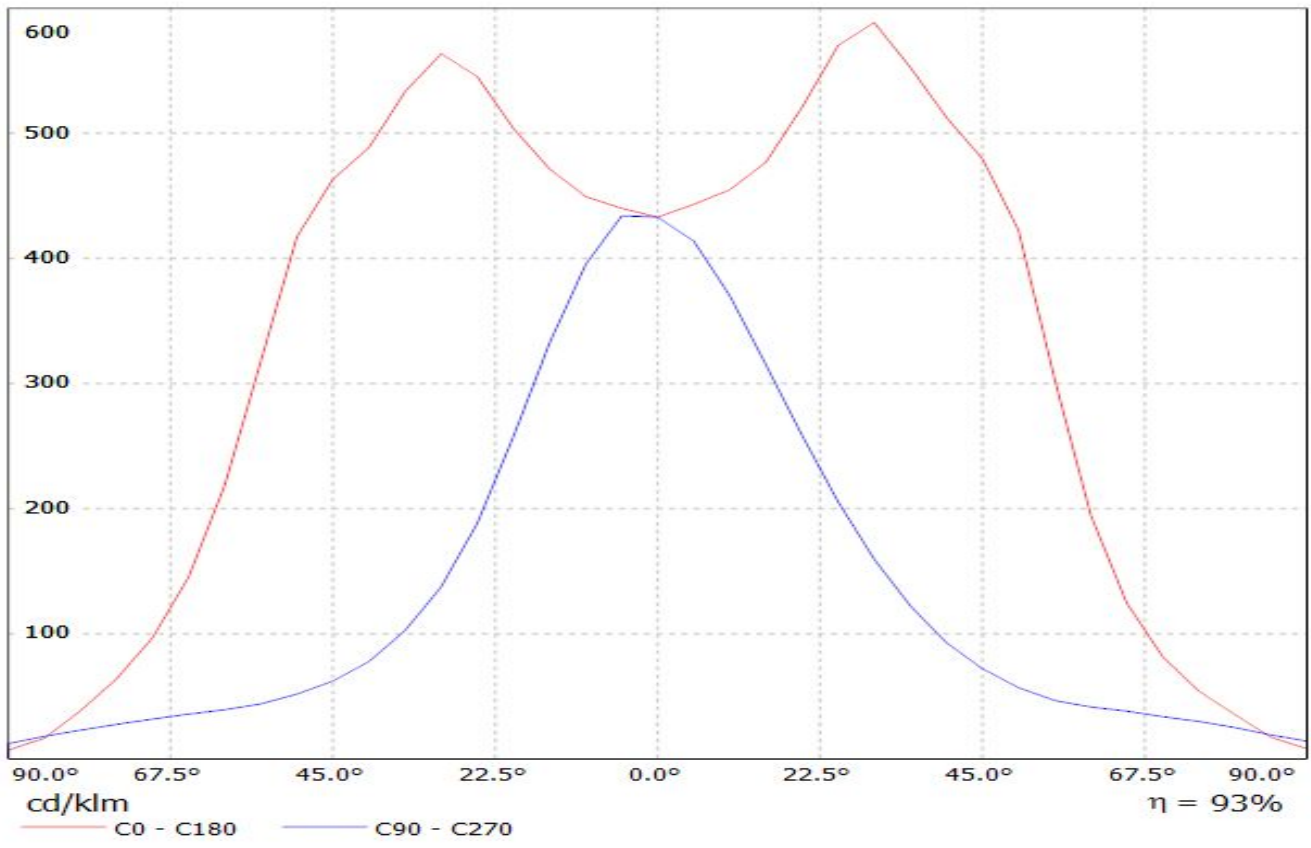


Ledil Oy C10949_Strada-B2-XP-G C10949_Strada-B2-XP-G / LDC (Linear)

Luminaire: Ledil Oy C10949_Strada-B2-XP-G C10949_Strada-B2-XP-G
Lamps: 1 x Cree XP-G (White)

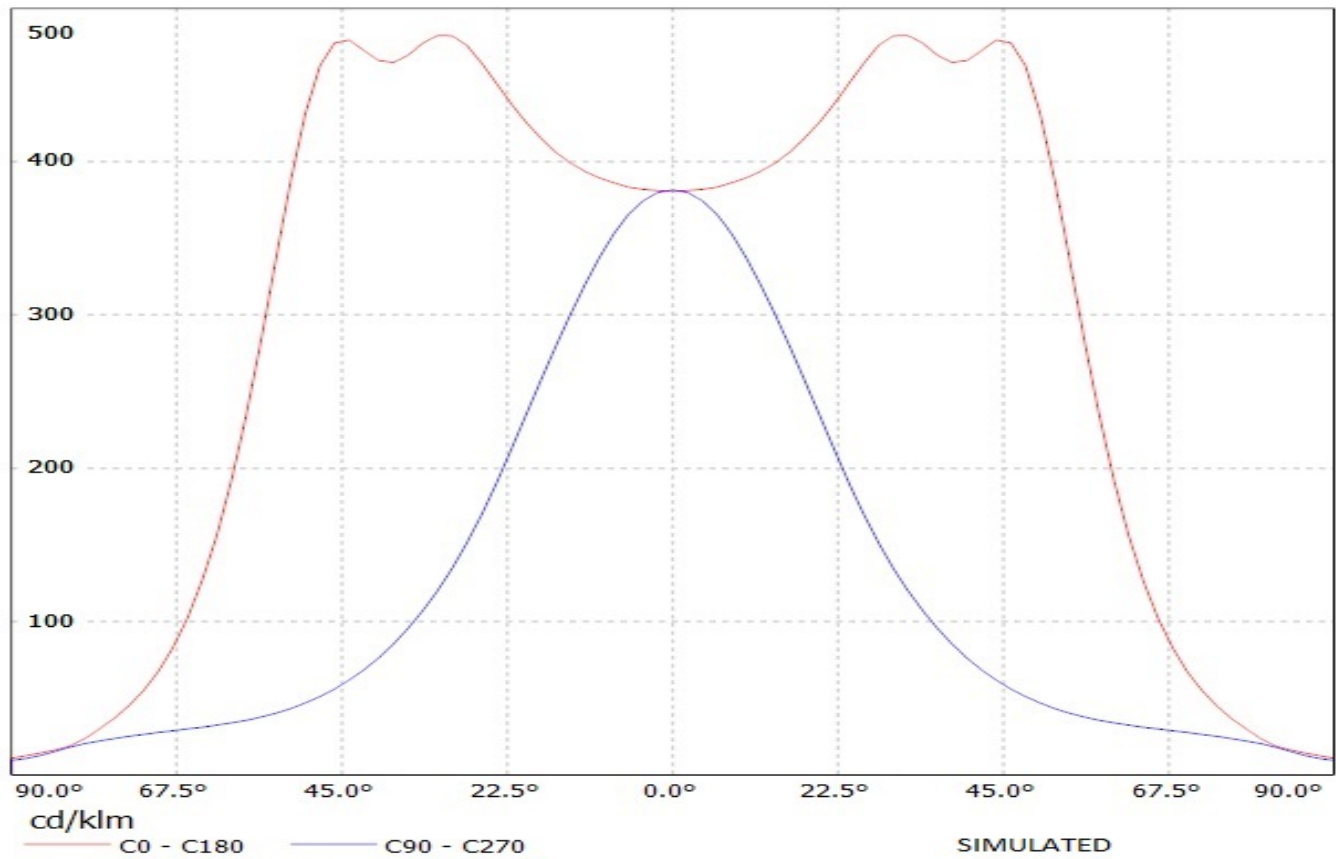


Luminaire: LEDiL C10949_STRADA-B2_(XB-D) Eff. 94%
Lamps: 1 x Cree XB-D (89lm@250mA)



Ledil Oy C10949_Strada-B2-XP C10949_Strada-B2-XP / LDC (Linear)

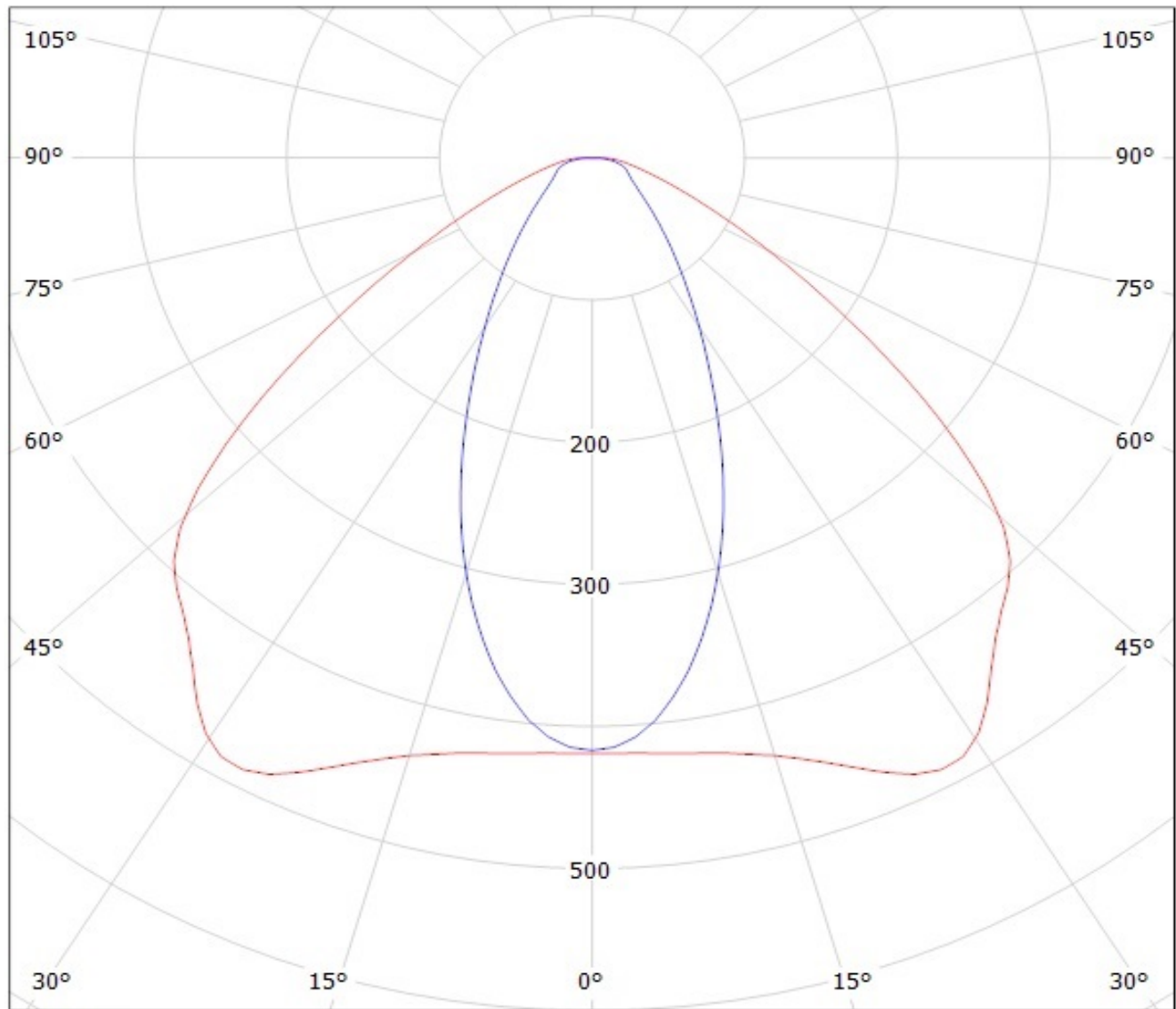
Luminaire: Ledil Oy C10949_Strada-B2-XP C10949_Strada-B2-XP
Lamps: 1 x Cree XP-E (White)



Ledil Oy C10949_Strada-B2-RE C10949_Strada-B2-RE / LDC (Polar)

Luminaire: Ledil Oy C10949_Strada-B2-RE C10949_Strada-B2-RE

Lamps: 1 x Luxeon Rebel (white/neut)



cd/klm

— C0 - C180

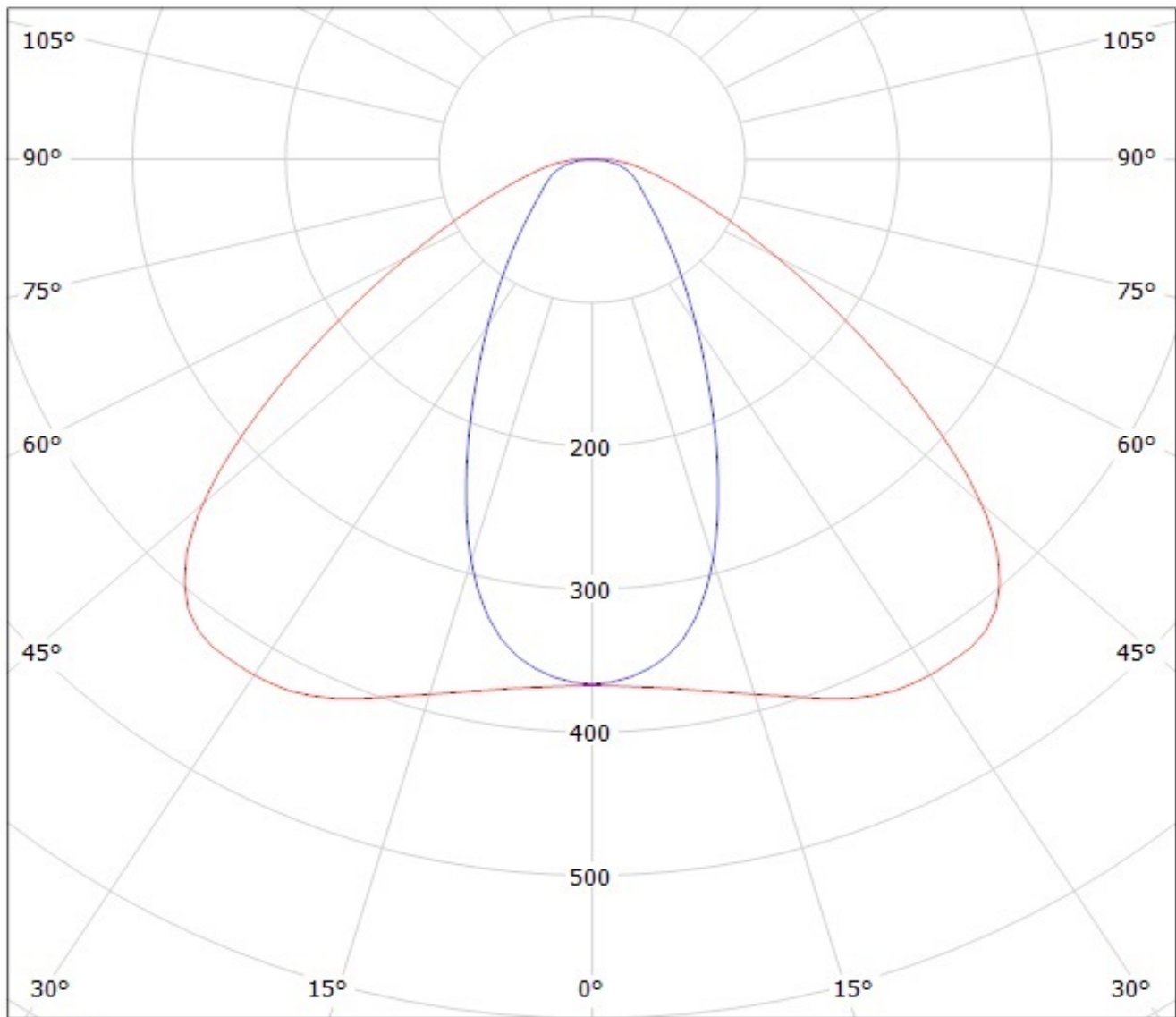
— C90 - C270

SIMULATED

Ledil Oy C10949_Strada-B2-OSL C10949_Strada-B2-OSL / LDC (Polar)

Luminaire: Ledil Oy C10949_Strada-B2-OSL C10949_Strada-B2-OSL

Lamps: 1 x Osram Oslon SSL (Ultra w33°B)



cd/klm

— C0 - C180

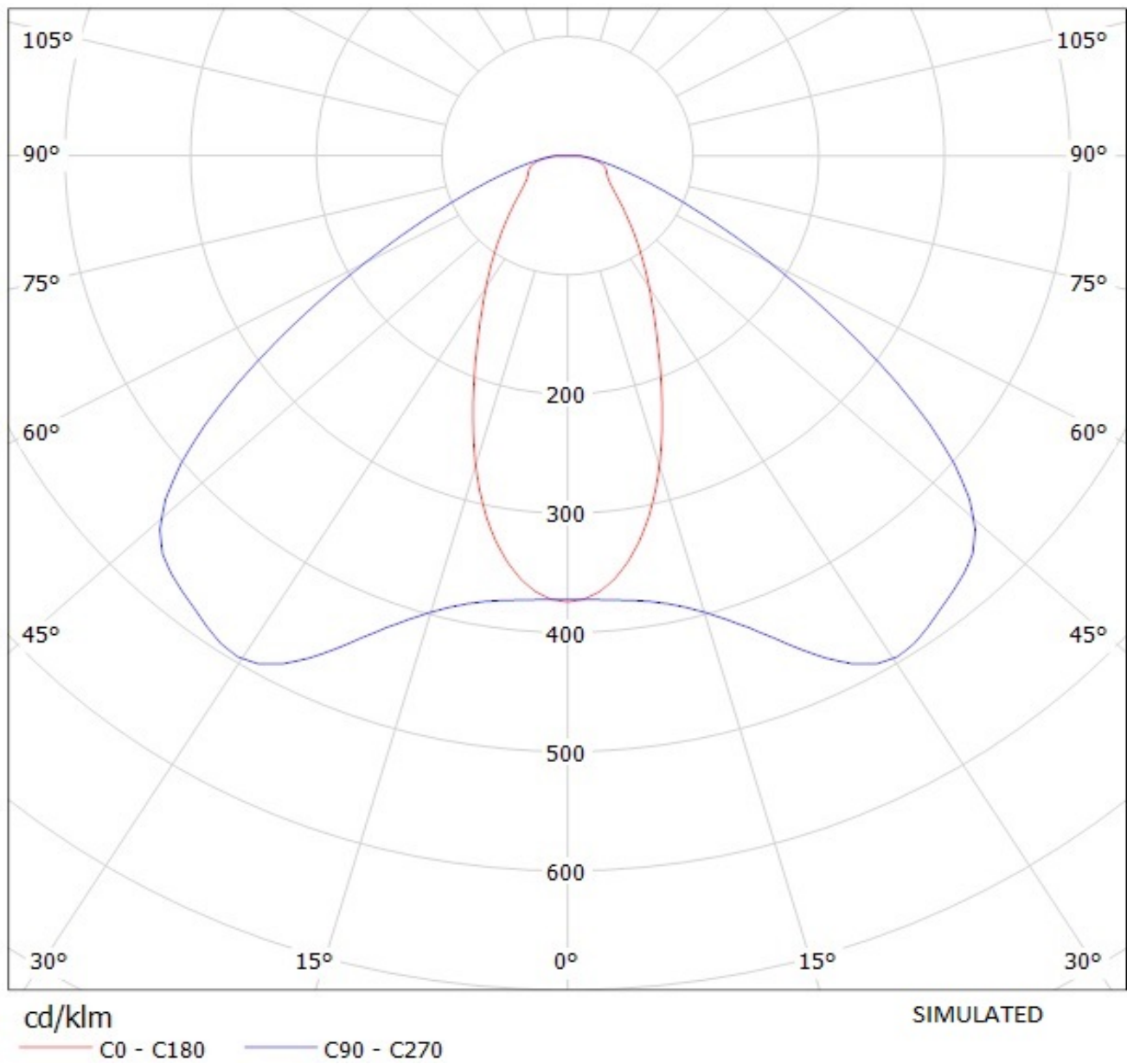
— C90 - C270

SIMULATED

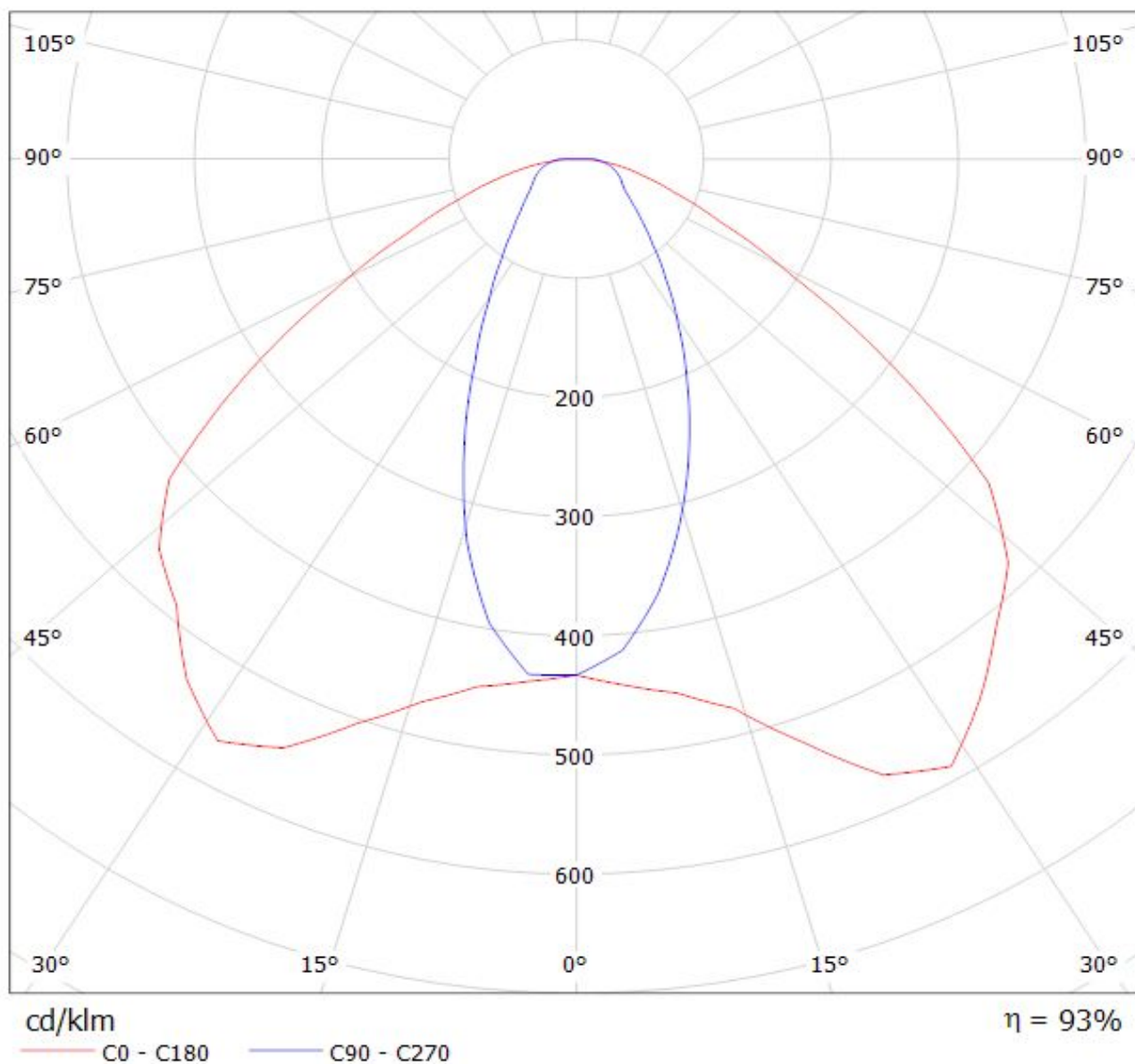
Ledil Oy C10949_Strada-B2-XP-G C10949_Strada-B2-XP-G / LDC (Polar)

Luminaire: Ledil Oy C10949_Strada-B2-XP-G C10949_Strada-B2-XP-G

Lamps: 1 x Cree XP-G (White)

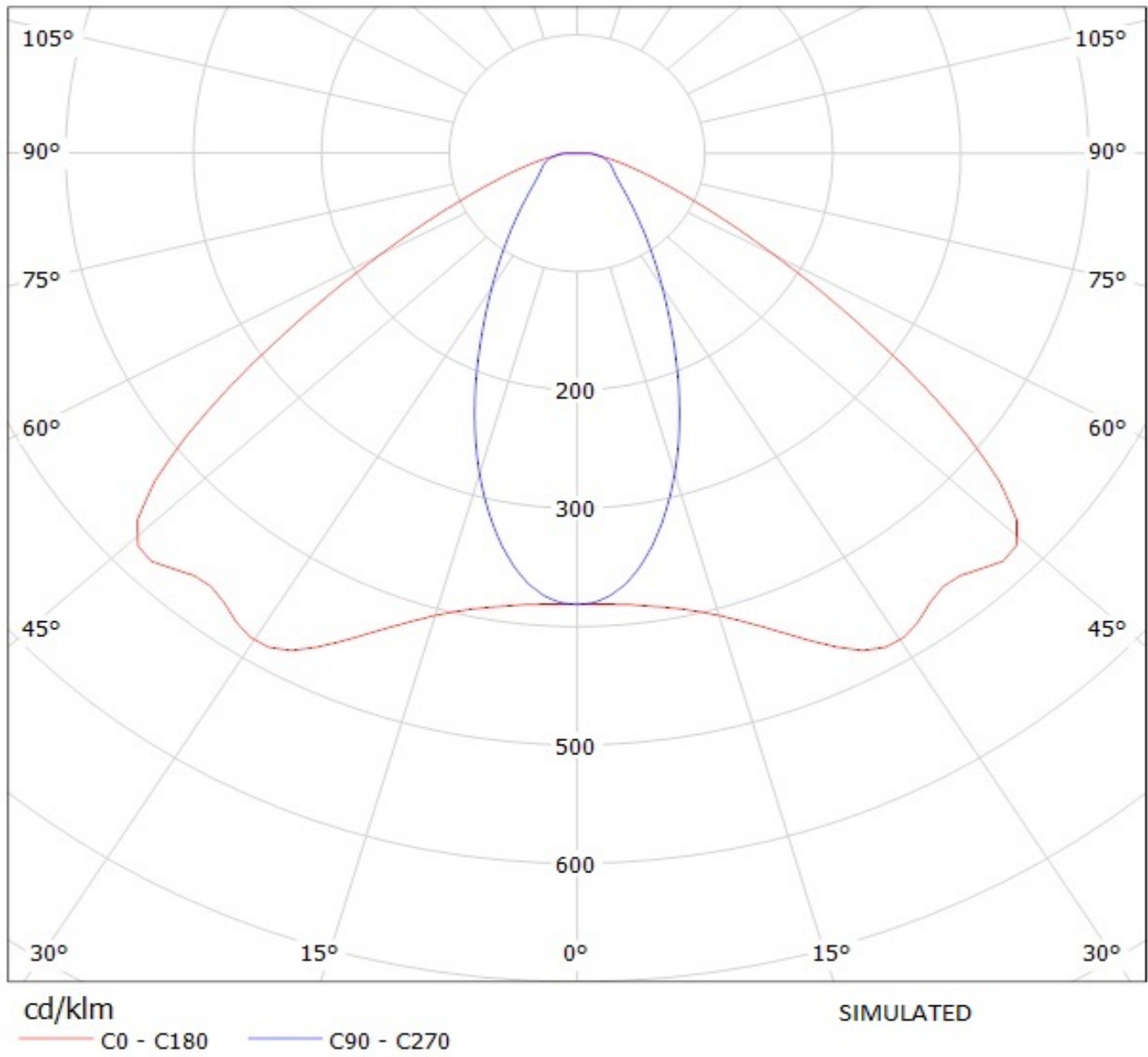


Luminaire: LEDiL C10949_STRADA-B2_(XB-D) Eff. 94%
Lamps: 1 x Cree XB-D (89lm@250mA)



Ledil Oy C10949_Strada-B2-XP C10949_Strada-B2-XP / LDC (Polar)

Luminaire: Ledil Oy C10949_Strada-B2-XP C10949_Strada-B2-XP
Lamps: 1 x Cree XP-E (White)



NOTE: The typical divergence will be changed by different color, chip size and chip position tolerance. The typical total divergence is the full angle measured where the luminous intensity is half of the peak value.