



# PRODUCT DATASHEET

## Strada-C series

last update 3/3/2014

### DETAILS

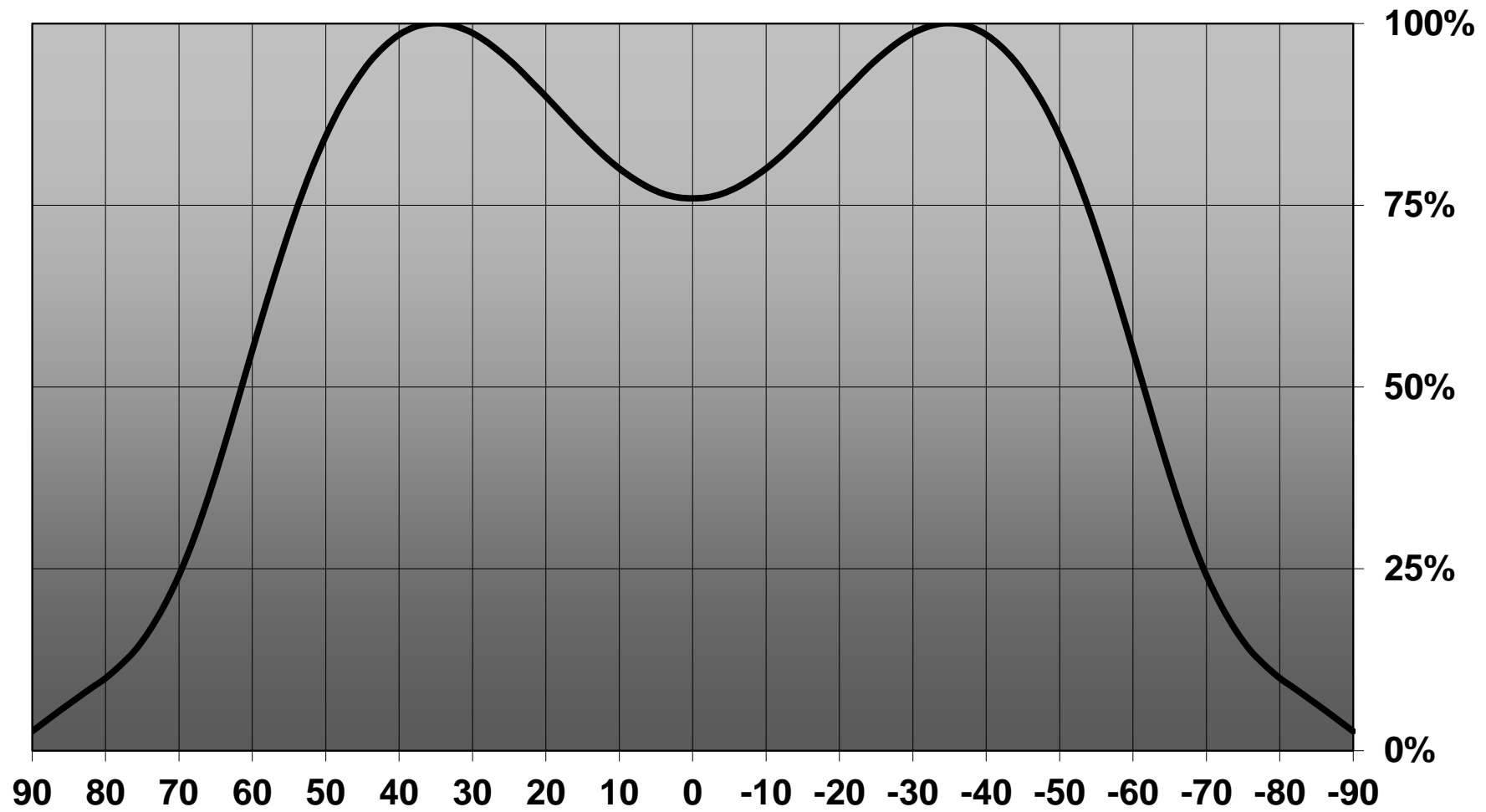
<b>Ordering Number</b>	C11277_STRADA-C
<b>Family</b>	Strada-C
<b>Type</b>	Lens
<b>Color</b>	clear
<b>Diameter</b>	19,6 x 15,5 mm
<b>Height</b>	6,9 mm
<b>Style</b>	rectang
<b>Optic Material</b>	PMMA
<b>Holder Material</b>	
<b>Fastening</b>	pin
<b>Status</b>	ready
<b>ROHS Compliant</b>	Yes
<b>Date Updated</b>	3/03/2014



### OPTICAL PROPERTIES

LED	Viewing Angle	Light Beam	Efficiency	cd/lm
CL-L400	122 degrees		91 %	(simulated) 0.000
MX-6	128 degrees		91 %	-
MX-3	128 degrees		91 %	-
NS6x83	130 degrees		91 %	0.250

Relative intensity of CA11348\_Strada-C-6N83-tape-CL-L400



D

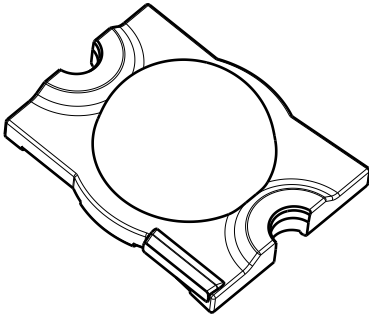
C

B

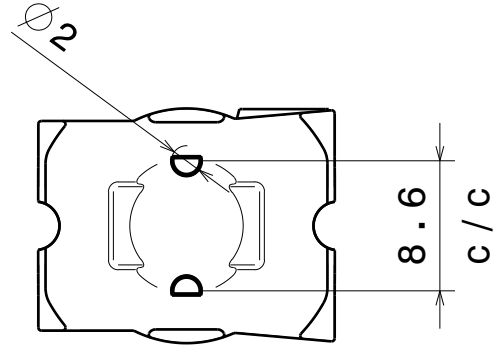
A

4

4

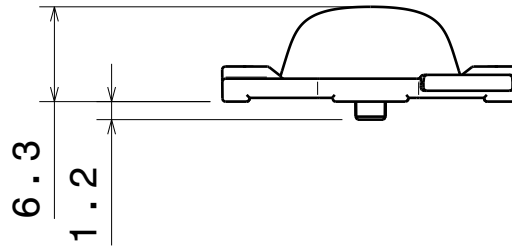


Isometric view



3

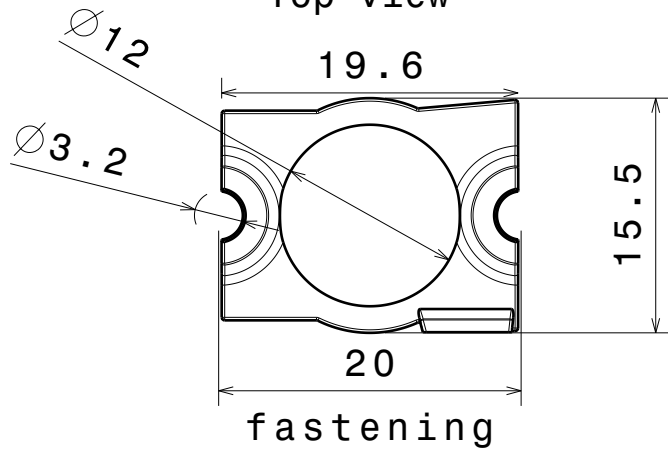
3



2

2

Top view



Material: PMMA

This drawing is our property.  
It can't be reproduced  
or communicated without  
our written agreement.



L  
T  
F  
F

e  
e  
i  
i  
n  
N

d

h

DRAWING TITLE

Datasheet Strada-C-N83 lens

1

DRAWN BY

DATE

16.12.2009

CHECKED BY

DATE

16.12.2009

DESIGNED BY

DATE

16.12.2009

SIZE

A4

DRAWING NUMBER

C11277

REV

1

SCALE

2:1

WEIGHT (g)

SHEET

1/1

D

A

**NOTE: The typical divergence will be changed by different color, chip size and chip position tolerance. The typical total divergence is the full angle measured where the luminous intensity is half of the peak value.**