

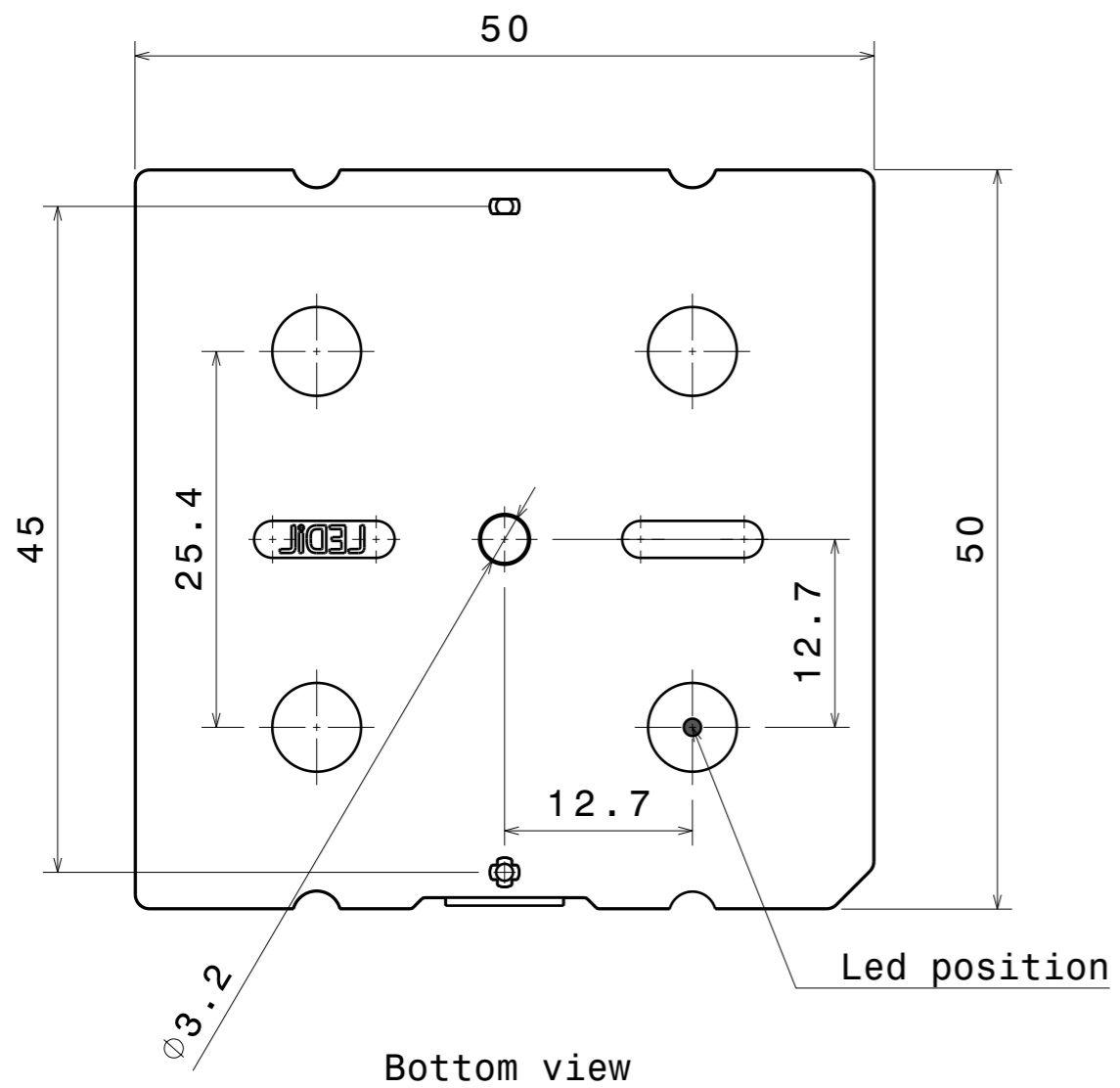
DETAILS

Product Number	C13936_STRADA-2X2-B2-STP
Family	Strada-B2
Type	Lens
Color	clear
Diameter	50 x 50 mm
Height	5,18 mm
Style	square
Optic Material	PMMA
Holder Material	
Fastening	screw, pin
Status	ready
ROHS Compliant	Yes
Date Updated	10/01/2014

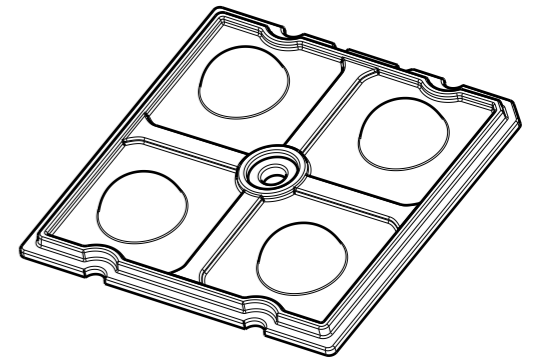
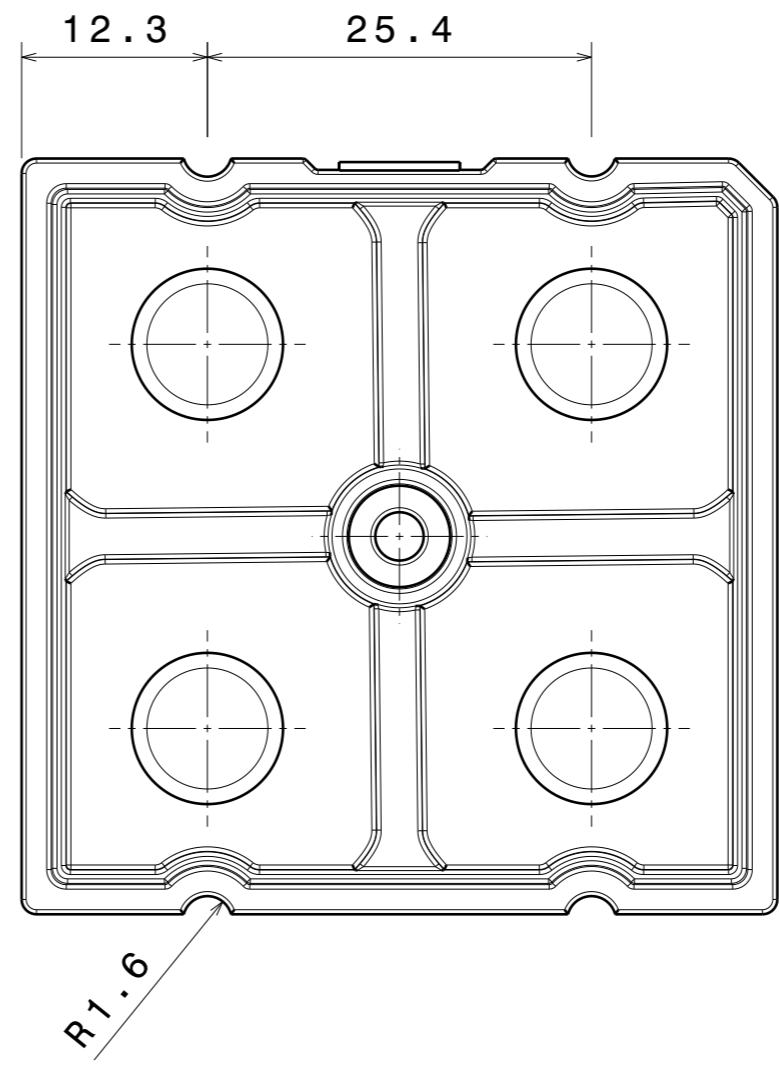


OPTICAL PROPERTIES

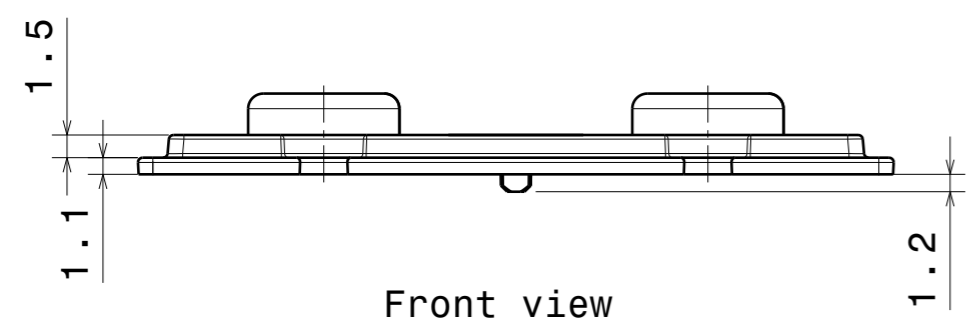
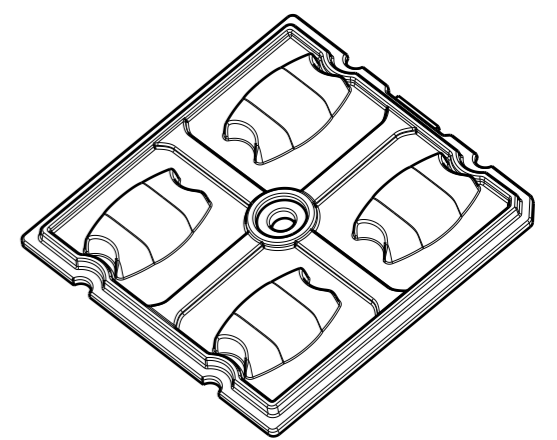
LED	Viewing Angle	Light Beam	Efficiency	cd/lm	connector
XP-G2	119+42 degrees		93 %	0.550	-



Led position



Isometric view
Scale 1:1



This drawing applies to:
C13936_STRADA-2X2-B2-STP
C13937_STRADA-2X2-C-STP

Tolerances if not otherwise shown
According to DIN ISO 2768-1
Linear measures:
Up to 30mm class F, otherwise class M.
According to DIN ISO 2768-2
Form and position: class K

LEDiL Ledil Oy
Salorankatu 10
FIN 24240 SALO
Finland

THIRD ANGLE PROJECTION:

DRAWING TITLE
Datasheet_STRADA-2X2-STP

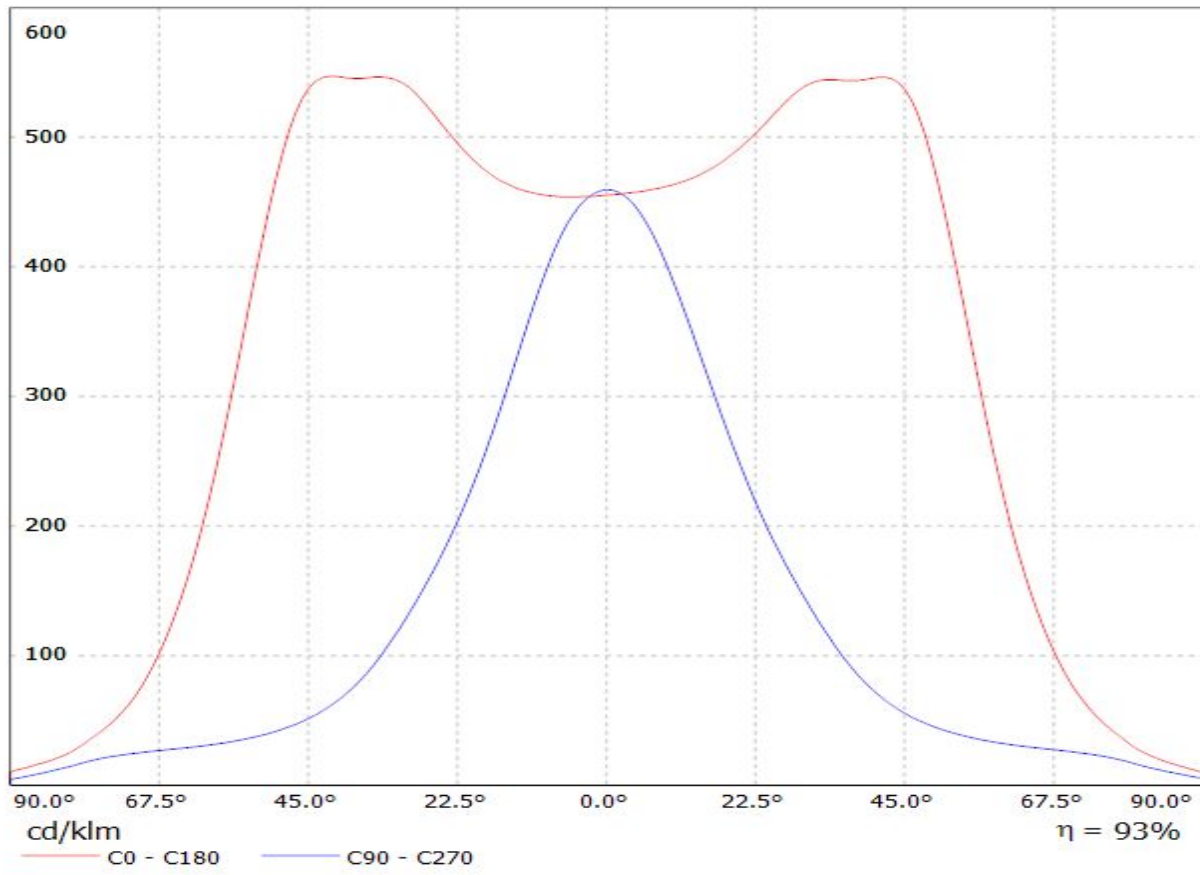
This drawing is the property
of LEDiL Oy. It may not be
reproduced, copied or
communicated without a written
agreement with LEDiL Oy."

SIZE	PART NUMBER		
A3	-		

SCALE	2:1	WEIGHT	(g)	SHEET	1/1
-------	-----	--------	-----	-------	-----

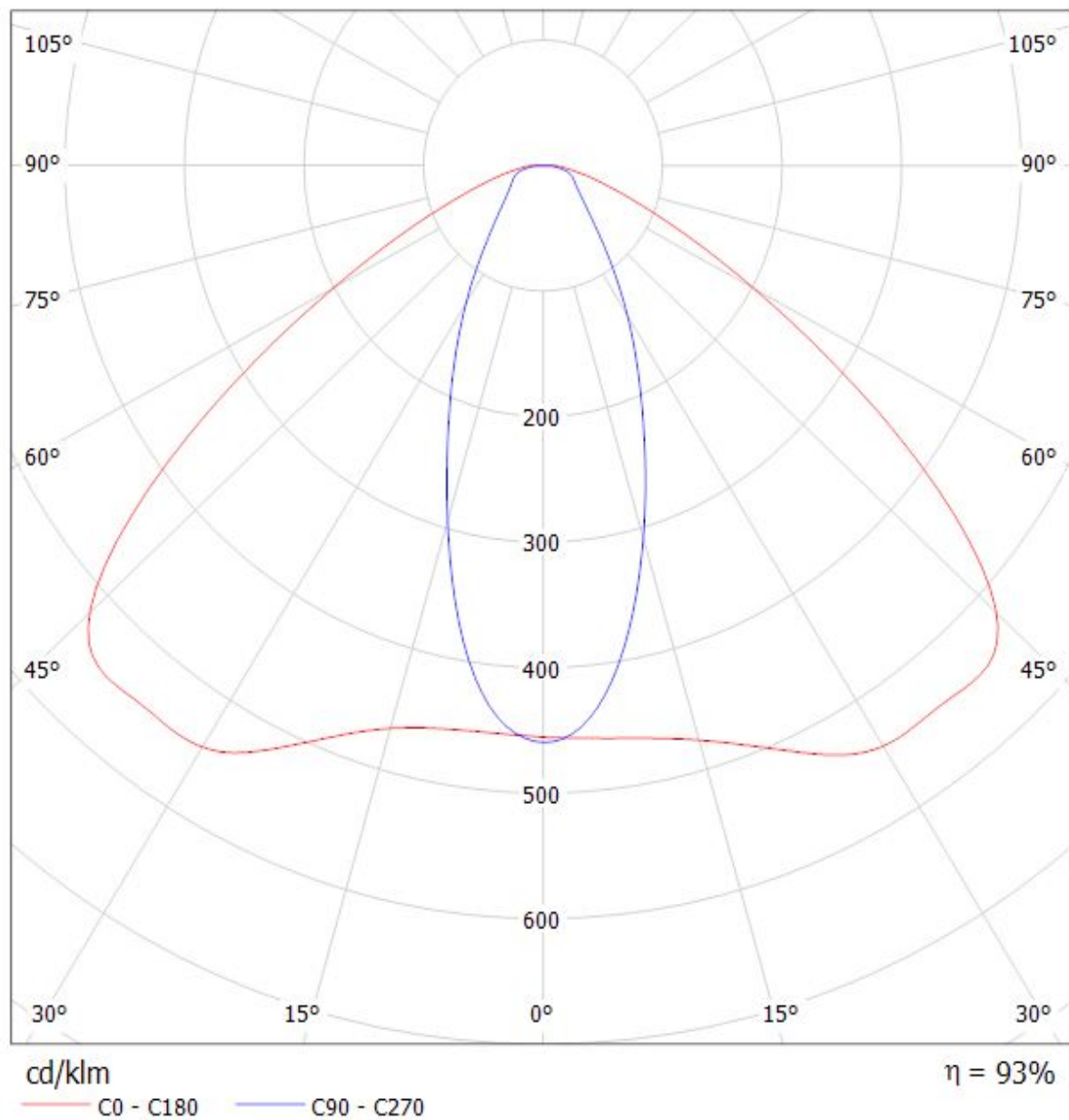
Luminaire: LEDiL Oy C13936_STRADA-2X2-B2-STP Eff.92.7%

Lamps: 1 x CREE_XP-G2_2x2_(XPGBWT-L1-000-00G51)_410.822lm@250mA_CCT=7181K_P=2.94382W_I=249.9mA



Luminaire: LEDiL Oy C13936_STRADA-2X2-B2-STP Eff.92.7%

Lamps: 1 x CREE_XP-G2_2x2_(XPGBWT-L1-000-00G51)_410.822lm@250mA_CCT=7181K_P=2.94382W_I=249.9mA



NOTE: The typical divergence will be changed by different color, chip size and chip position tolerance. The typical total divergence is the full angle measured where the luminous intensity is half of the peak value.