

# Product datasheet

## DK-252X70-120-LENS



## Contents

Product datasheet .....	1
Contents .....	2
Part number explanation .....	3
General information .....	4
Picture .....	5
Dimension .....	6
Packing information .....	7



## Part number explanation

### DK - 252X 70- 120- LENS

D1      D2      D3      D4      D5

D1: Company code (DARKOO)

D2: Length

D3: Width

D4: Angle/Type

D5: Type (LENS)



## General information

### ❖ Features

- High efficiency
- Uniform light spot
- No-need lens holder

### ❖ Matched LED

- 2835 、 3030、 3535、 5050 、 7070

### ❖ Applications

- ❖ Stadium light、 Flood light

### ❖ Material information


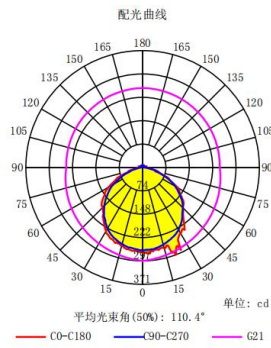
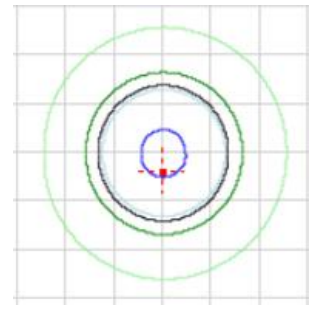
- Lens material: PC(UV)
- The working temperature is: PC-35°C~+120° C
- Storage environment temperature is 0° C~40° C, humidity is 30%~95%

### ❖ Application Notes

- Please use a litter water and soft fabric (air-laid paper) to clean the lens if necessary.
- Forbid to use industrial solvent to clean the lens, such as alcohol.
- Optic Lens has the function to change the ray of light, it is made of optical material, the effect shall be influenced once pollute. Please do not open the packing before use it, to avoid the dust pollution.
- Protect the product from the sun and other ultraviolet ray, as these will lead to aging, change color, crack, etc.
- Please ware gloves once install the lens, avoid to abrasion the lens surface.
- Forbid to use acidic or alkaline solution touch the product, avoid to generate the chemical reactions.



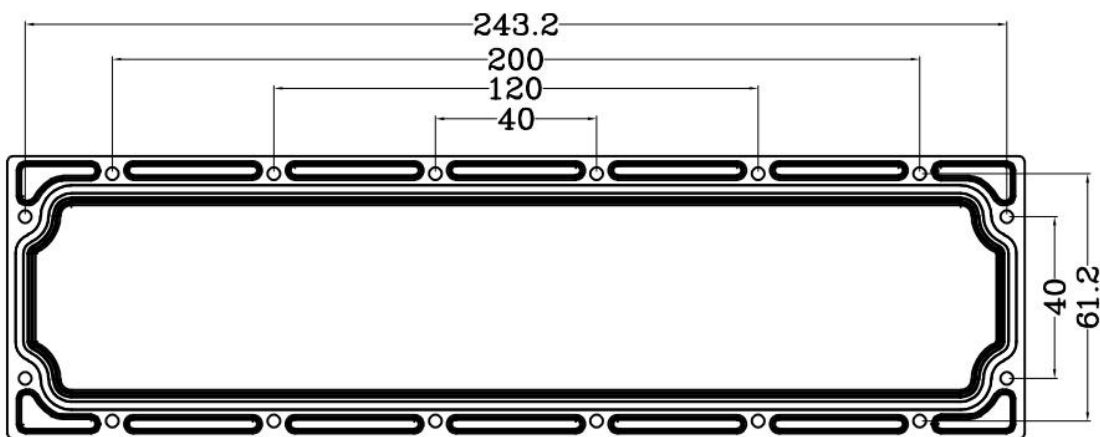
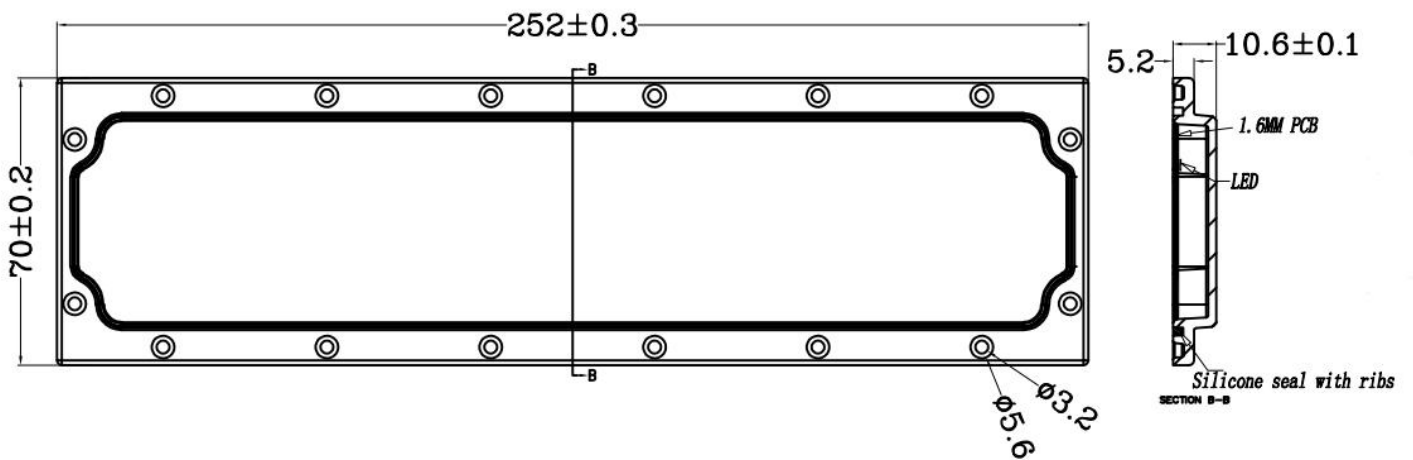
## Photo metricdata

Picture	Item No <b>DK-252*70-120-LENS</b>	Angle <b>110°</b>	Matched LED <b>3030</b>
			
<b>Photometric data (Simulated)</b>			



## Dimension

- 1、 Installation method: Screw
- 2、 Lens dimension



## Packing information

Item No	Material	Size	Quantity
DK-252*70-120-LENS	BOX	320*245*115MM	XXPCS
	Carton	330*255*255MM	XXPCS

