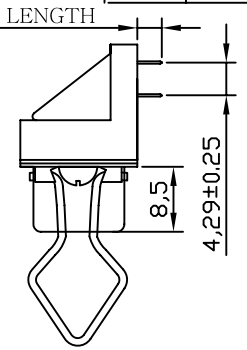
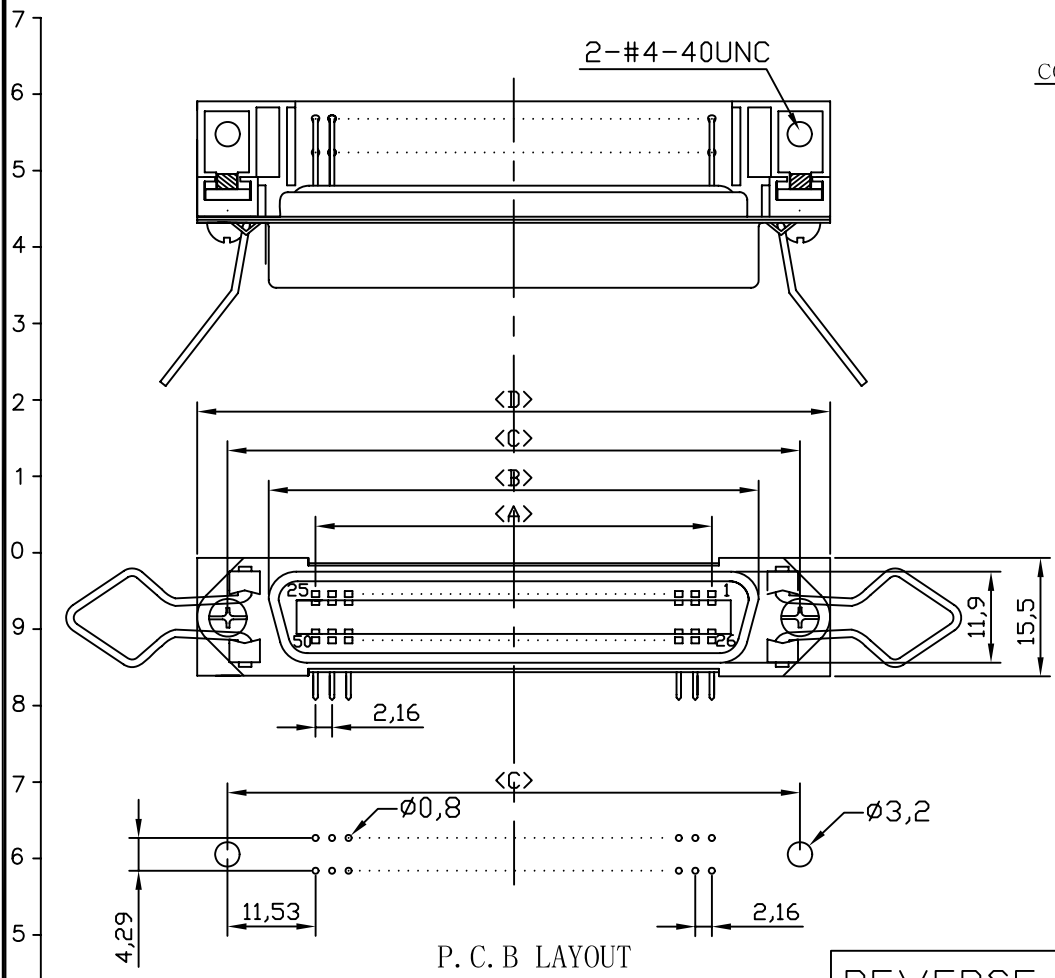


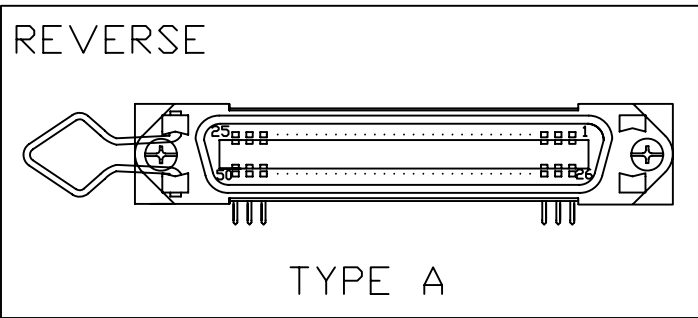
| REV | DATE | DESCRIPTION |
|-----|------------|-------------|
| B | 2011-11-25 | 添加TYPE A |



Material & finish
 SHELL:
 steel Zinc plated, Tin plated
 or Nickel plated steel
 PIN CONTACT:
 Phosphor bronze or brass
 Gold Plated
 INSULATOR:
 PBT & Glass-fibre reinforced
 UL-94-V0
 CURRENT RATING:5Amp
 DIELECTRIC STRENGTH:
 1000V for one minute
 INSULATOR RESISTANCE:
 1000MΩ MIN.(at 500V DC)
 CONTACT RESISTANCE:25mΩ Max. mated
 TEMPERATURE:
 -55°C to +105°C

P. C. B LAYOUT

| Positions | A | B | C | D |
|-----------|-------|------|------|------|
| 14 | 12.96 | 25.2 | 36.0 | 44.0 |
| 24 | 23.76 | 35.9 | 46.8 | 54.8 |
| 36 | 36.72 | 48.9 | 59.7 | 67.7 |
| 50 | 51.84 | 64.0 | 74.9 | 82.8 |



TYPE A

UNIT : mm

| | | | | | | | | | |
|-------------------------|--------------------------------|---------|-------|------|------|-------|---------------------------------|--------------|----------|
| KLS ELECTRONIC CO., LTD | MODEL NAME: | SELECT | 1 | 2 | 3 | EXTRA | PART NO. L-KLS1-1801A-57-36-F-L | | |
| | 57-90度母DIP型圆头4*7锁合双牙L片 新四勾耳 | DIM TOL | 0.000 | 0.05 | 0.05 | 0.10 | | APPROVED BY: | FILE NO. |
| | | | 0.00 | 0.10 | 0.15 | 0.20 | ✓ | CHECKED BY: | SCALE: |
| | | | 0.0 | 0.15 | 0.25 | 0.30 | ✓ | | |
| | | | 0. | 0.25 | 0.30 | 0.40 | ✓ | DRAW BY: 周胤或 | DATE : |
| | ANGLE | 1.0° | 3.0° | 5.0° | ✓ | | | | |

Document No.: