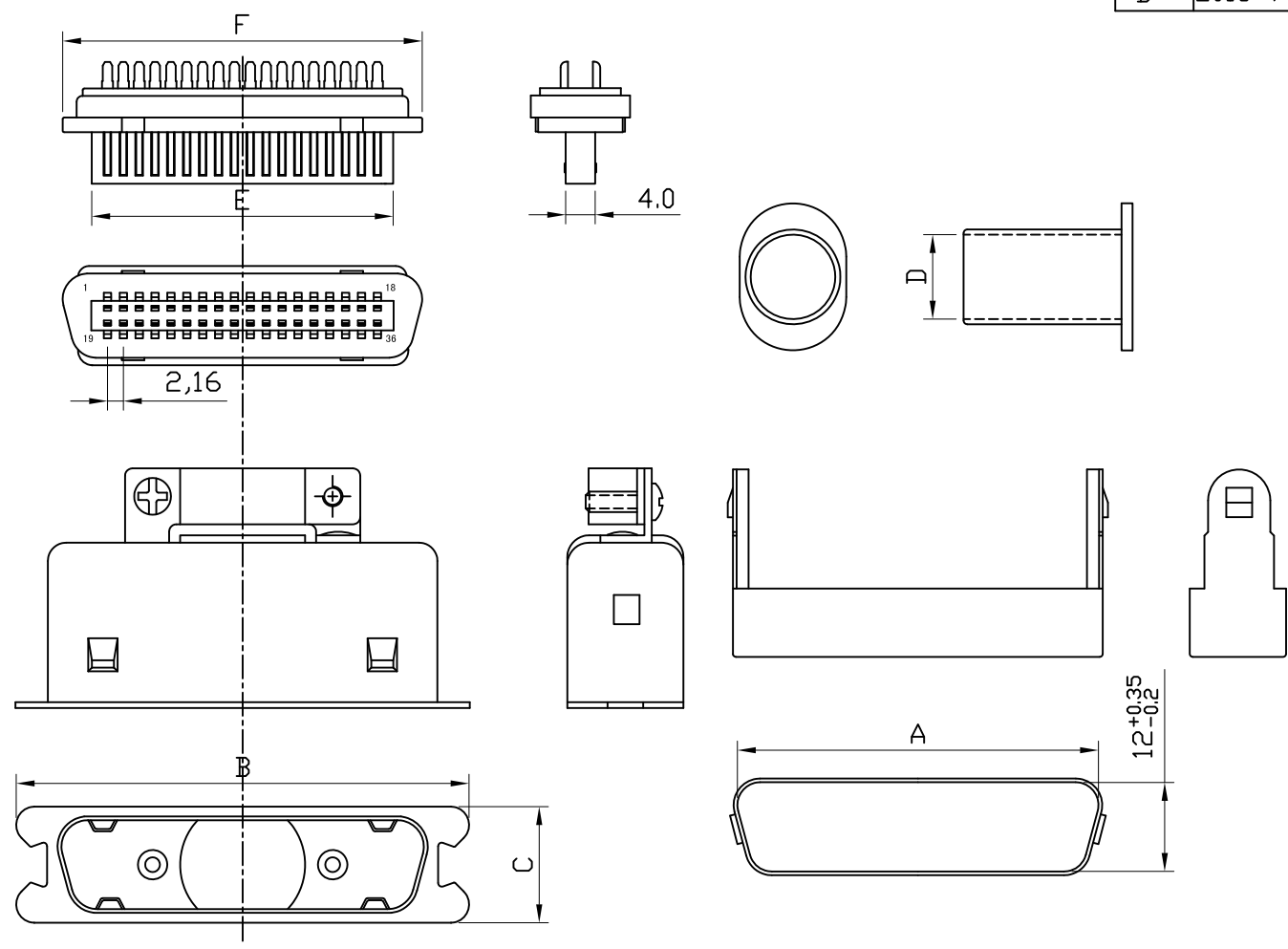


REV	DATE	DESCRIPTION
B	2016-7-15	修改30铁壳

Material & finish  
 SHELL:  
 steel Zinc plated, Tin plated  
 or Nickel plated steel  
 PIN CONTACT:  
 Phosphor bronze or brass  
 Gold Plated  
 INSULATOR:  
 PBT & Glass-fibre reinforced  
 UL-94-V0  
 CURRENT RATING:5Amp  
 DIELECTRIC STRENGTH:  
 1000V for one minute  
 INSULATOR RESISTANCE:  
 1000MΩ MIN.(at 500V DC)  
 CONTACT RESISTANCE:25mΩ Max. mated  
 TEMPERATURE:  
 -55°C to +105°C



Positions	A±0.3	B±0.35	C±0.35	D±0.25	E±0.25	F±±0.3
14	25.3	37.9	15.8	7.0	17.28	25.3
24	36.0	49.0	15.8	9.0	27.9	36.2
36	49.3	61.6	15.8	11.5	41.0	49.1
50	64.2	77.1	16	12.5	56.35	64.2

UNIT : mm

NINGBO KLS ELECTRONIC CO., LTD

MODEL NAME:  
 57-简易公焊线式+30大铁壳

SELECT	1	2	3	EXTRA
DIM TOL	0.000	0.05	0.05	0.10
	0.00	0.10	0.15	0.20
	0.0	0.15	0.25	0.30
	0.	0.25	0.30	0.40
ANGLE	1.0'	3.0'	5.0'	✓

PART NO. L-KLS1-1802-57-36-M-L	
APPROVED BY:	FILE NO.
CHECKED BY:	SCALE: 1 : 1
DRAW BY:	DATE :

Document